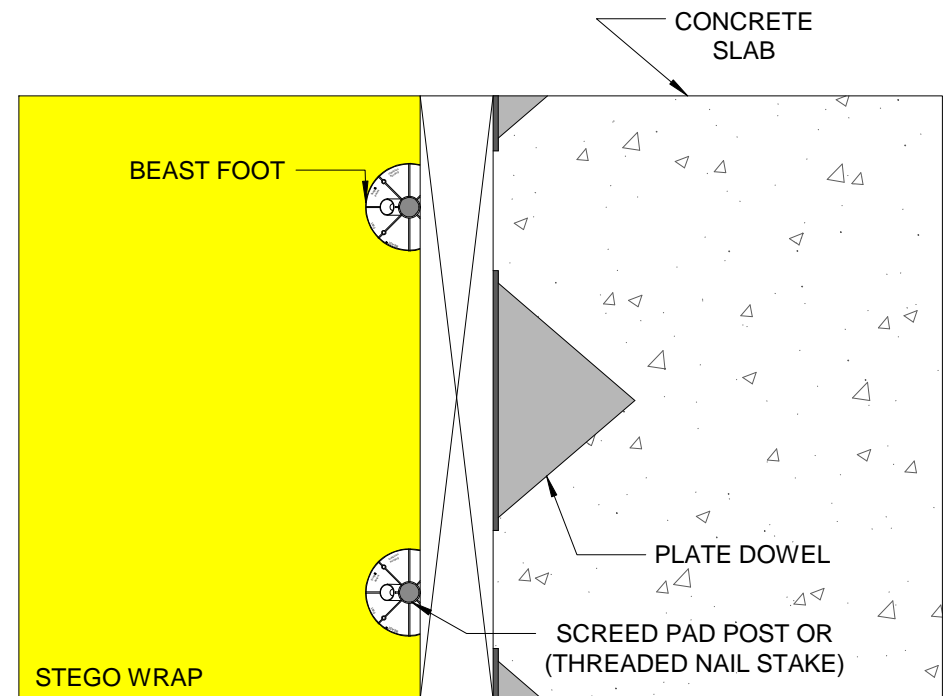


PROFILE VIEW

TOP VIEW



BEAST® CONCRETE ACCESSORIES		
PLATE DOWELS WITH BEAST® FOOT OVER STEGO® WRAP		
CONCEPTUAL FIELD ILLUSTRATION		
PAGE 1 OF 1	NOT TO SCALE	29 SEPTEMBER 2017

Conceptual Field Illustrations are drawings prepared by Stego® Industries, LLC and intended to illustrate potential installation or repair details. These illustrations are not design documents and must be reviewed and approved by the appropriate design professional prior to utilization. Likewise, in no way do these illustrations waive the requirements of the Contract Documents or supersede local code requirements. A Conceptual Field Illustration that does not comply with the applicable version of ASTM E1643 and Beast's installation instructions, by definition, is not a Stego recommendation; rather, it is merely an example of a potential way to complete the work.